

CASEMENT AND AWNING WINDOWS

STYLISH SASH



These superior-quality windows exceed the highest industry standards. Greater comfort, lower energy costs, extraordinary resistance, and a beautifully finished look bring your home the best added value possible.

**THE ULTIMATE
WEATHER BARRIER**

**UNSURPASSED
RELIABILITY**

**AN ATTRACTIVE
APPEARANCE
FOR YEARS**



THE CHOICE OF HOMEOWNERS WHO AREN'T WILLING TO COMPROMISE

EXTREME PERFORMANCE AND DURABILITY

In all weather conditions and over the years, these windows give you the best protection and the greatest comfort a window can provide. This remarkable performance is the result of constant attention to the smallest detail.

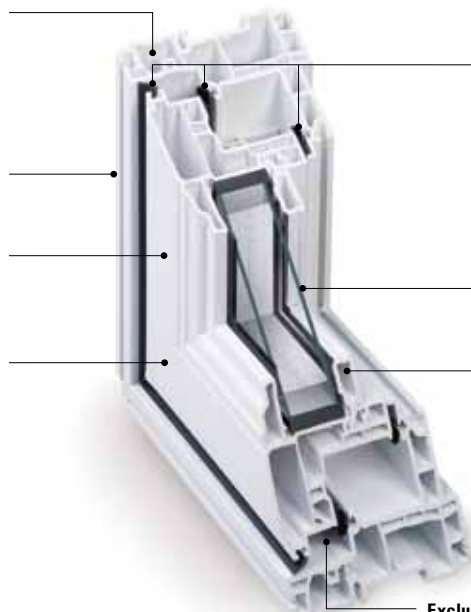


Multichamber design
More chambers than any competing product. Provides superior thermal insulation and sound reduction. Guaranteed outstanding resistance to warping and crushing (minimizing the likelihood of seal failure and gas loss).

Exclusive PVC compound gives the window better resistance to impacts and discoloration

Stylish sash
Optional inside and outside design accessories for a neat finish.

Fusion-welded corners
Give a more attractive appearance, enhance solidity, and eliminate the need for adhesives and sealants. 100% watertight and airtight.



Triple-layer weatherstripping
Provides superior insulation, virtually eliminating air, water, dust, and dirt infiltration. Easily replaceable if needed thanks to the groove.

Optional low-E double or triple glazing with argon gas
For increased energy efficiency.

Interior glazing bead
Designed to withstand extreme conditions.

Exclusive anchoring system for opening/locking mechanisms
Specially designed mounting screws installed through a minimum of two PVC walls for reliable, durable, and secure fastening.

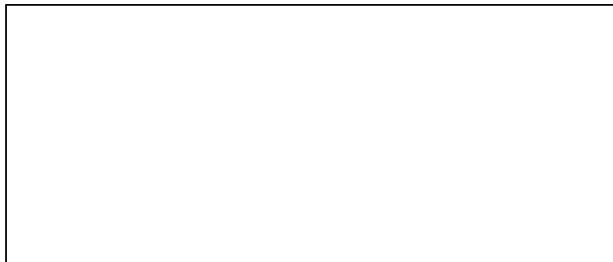
Outstanding performance

Our windows undergo the most stringent compliance testing performed by an independent laboratory. They always earn the highest ratings in national classification tests.

	Size tested mm (in.)	U.S. standard AAMA/WDMA/CSA 101/I.S.D./AA440-08
Casement window S-3000	800 x 1800 (32 x 71)	CW-PG80-C
Awning window S-3050	1200 x 800 (48 x 32)	LC-PG80-AP

CONSERVATION

We're into Conservaction®!
Our windows not only offer unique and distinctive technical features—they're also all specially designed to save energy and preserve natural resources. Longer product life, and the best energy performance in the industry!



SYSTEM WARRANTY

P.H. Tech Inc. provides a 20-year limited warranty on all residential PVC profiles. Manufacturer's warranty may offer coverage that is different than P.H. Tech's. More technical specifications at www.phtech.ca

P.H. Tech is a trademark licensed to P.H. Tech Inc. P.H. Tech Inc. manufactures PVC extrusions, and window and door profiles. Windows and doors are produced, assembled, installed and distributed by authorized independent manufacturers and retailers. All efforts have been made to ensure that the information in this publication is accurate. However, P.H. Tech Inc. will accept no liability for any errors or omissions herein and reserves the right to discontinue, replace or alter product lines and product features without any obligation whatsoever.